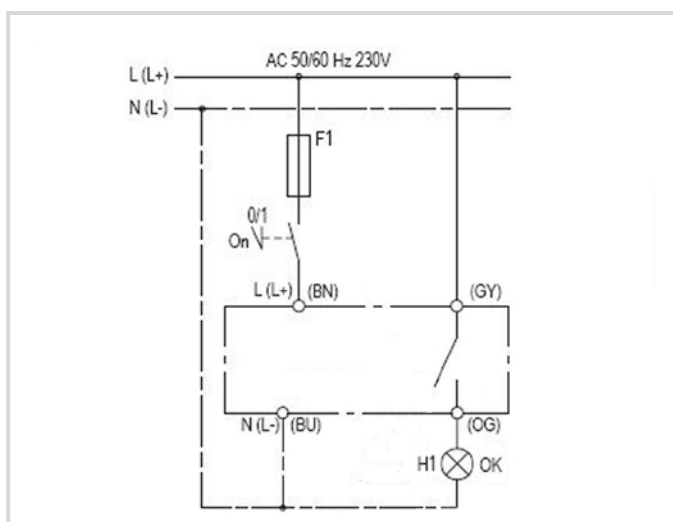


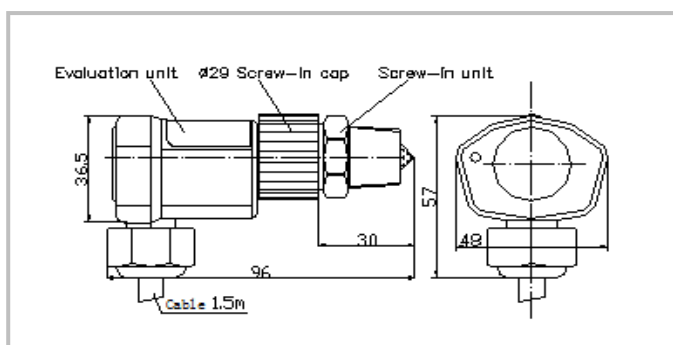
OUT276 LN Level monitoring



OUT276 LN



Wiring diagram



Dimensions in mm

Installation instructions

Mounting: The proper sealing at the change-over point depends on the application case and needs to be ensured by the user. The mounting for the electronics (especially the glass) needs to be checked for cleanliness. Insert the evaluation unit in the screw-in unit and screw tight by hand with the coupling ring (torque about 10Nm). Make sure that the cable outlet points down. The electrical connection needs to be carried out according to the wiring diagram. After refilling the container, check the seal.



The unit must be connected by trained electrical personnel.

Application

The OUT276 LN optical monitoring unit is used for contactless monitoring of the liquid level. This is accomplished by a screw-in unit installed at the measuring point for optical level scanning as well as an electronic, removable evaluation unit. The evaluation unit can be replaced without opening the reservoir of the monitored media. The relay trips 3 seconds after connecting the supply voltage. If no level is detected the relay switches off after a delay, the red LED illuminates. If the level reaches the good range, the relay picks up again after a delay, the red LED goes out. The own monitoring system of the optics integrated into the OUT276 LN ensures increased operational reliability. An installation check monitors the proper assembly. If there is a fault, the relay switches off after a delay, the red LED illuminates.

Technical specifications

Screw-in unit

Max. Medium temperature	+120°C (max.16000h) +100°C
Max. Operating pressure	46bar(-10°C ... +120°C) 34.5bar(-30°C ... -10°C)
Housing material	Steel acc. DGRL, nickel-plated
Weight	Approx.150g
Connection thread	1/2" NPT short

Evaluation unit

Supply voltage	AC 115~230V -15%...+10% 3VA
Permitted ambient temperature	-30 ... +70°C
Delays:	
-Relay On after applying the supply voltage	3s±1s
-Relay off(level missing)	5s±2s, LED ON
-Relay off(error)	5s±2s, LED flashes
-Relay On(level good)	5s±2s, LED OFF
-Relay On(no errors)	5s±2s, LED OFF
Output relay	Max,AC 240V 2.5A, C300 Min,AC/DC > 24V > 20mA
Mechanical service life	Approx.1 million switching cycles
Connection type	Cable 4xAWG-18(0.75mm ²), L=1.5m, colure coded
Protection class acc. To EN60529	IP54 ub built-in status
Housing material	PA glass-fibre-reinforced
Mounting	Coupling ring on screw-in part
Weight	Approx. 220g
Order No.	15G15 276 01