

OUT571 Differential Oil Pressure Sensor | Part-No.34731711



Application

OUT571 servers to monitor the oil differential pressure of oil pumps in refrigeration compressors. For this a screw-in part that is mounted directly in the pump housing is evaluated for differential pressure measurement. The screw-in part is thereby connected by internal channels with the suction and high pressure side of the pump. Supplementary pipe connections are not needed. The evaluation unit is fastened by a coupling ring in the screw-in part and can be removed without opening the oil/refrigeration circuit. Once the supply voltage has been switched on, the relay trips after a 3 second delay time. With the operating recognition signal, which is applied to D1 of motor contactor (see wiring diagram), the differential pressure monitoring is activated after the expiration of a starting transition time. A missing differential pressure leads to a locked switch off after 90 seconds; with differential pressure fluctuation appropriately later (time integration). The monitoring of internal errors is always active. Any faults that occur in any operational phase lead to a locked switch off of the relay after 5 seconds. The potential-free, contact can be looped into a safety circuit without an auxiliary relay. An installation check monitors the proper assembly. The built-in LED indicates the operating state.

Flash code of the red LED

10Hz flashing: internal error
voltage supply too low
Not screwed into screw-in part

Continuous light: No differential pressure available

Off: Differential pressure OK, no error

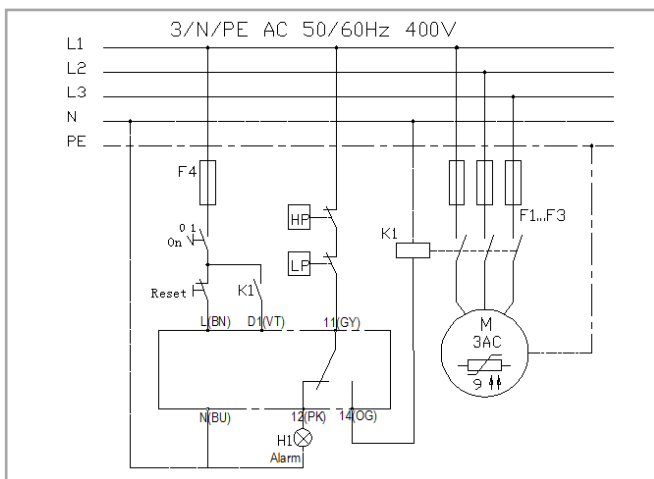
Technical specifications

Screw-in unit

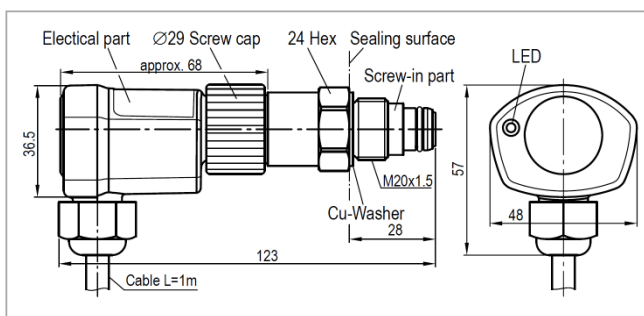
Permitted medium temperature	-30...90°C
Differential pressure	0.65bar±0.15bar
Operating pressure	30bar
Housing material	Brass
Connecting thread	M20 × 1.5mm
Weight	Approx. 130g
Order No.	15G12 555 01

Evaluation unit

Supply voltage	AC50/60Hz 115/230V -15...+10% 3/A AC50/60Hz 24V -15...+10% 3/A
Operating recognition(D1)	AC50/60Hz 115-230V -15...+10% L-potential at connection D1
Permitted ambient temperature	-30...70°C
Delays:	
-Relay On after applying the supply voltage	3s±1s
-Starting transition time D1 active	5s±2s
-Relay off(error)	5s±2s
-Relay off(diff.-pressure missing)	90s±5s(time integration)
-Reset by interrupting the supply voltage	Approx. 5s
Output relay	Max. AC 240V 2.5A C300 Min. AC/DC >24V, >20mA.
Mechanical service life	approx. 1 million switching cycles
Protection class acc. to En 60529	IP54 in built-in situs
Connection type	Calbe6 × AWG20(0.5mm ²), colour-coded, L=1m
Housing material	PA66/PA6, glass-fibre-reinforced
Mounting	Union nut
Weight	Approx160g
Supply Voltage	Order No.
-AC 115-230V	-15G 12 571 01
-AC /DC 24V	-15G 12 571 02
-AC 115-230V	-15G 12 571 05 (Bitzer Part-No.34731711)



Wiring diagram



Dimension in mm

Installation instructions

Mounting: The maximum torque of the screw-in unit is about 75Nm and has to be ensured by a ring spanner or a socket key. After mounting, check the seal. Follow the rules when working on refrigeration systems! Insert the evaluation unit in the screw-in unit and screw tight by hand with the coupling ring (torque about 10Nm). Make sure that the cable outlet points down. The electrical connection needs to be carried out according to proposal in the wiring diagram.



.The unit must be connected by trained electrical personnel.