

OUT580-H1 Level regulator

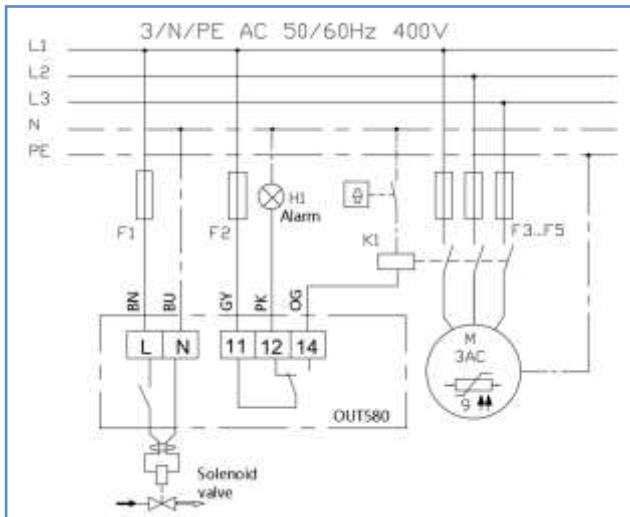


The OUT580-H1 oil level regulator is a self-contained system which provides both functions of oil level monitoring and active oil level balancing including alarm relay activation for compressor protection.

Features

- OUT580-H1 Series for CO2 subcritical and HFC refrigerants, max. working pressure PS: 60 bar
- IP65 rating with molded housing and cable assemblies
- Supply 24VAC or 230VAC
- 3 Zone Level Control by using precise Hall-Sensor measurement, not prone to errors by foaming or light like optical sensors
- SPDT output contact for compressor shut down or alarming, rating 230VAC / 3A
- Easy installation by sight-glass replacement and front side mounting without nuts
- Self-contained oil level sensor unit with its external solenoid valve drives for output which manage oil level supply
- Alarm, status and level indication by LED's
- Adapters suitable for various types of compressors
- Recommended by leading compressor manufacturers

Wiring diagram

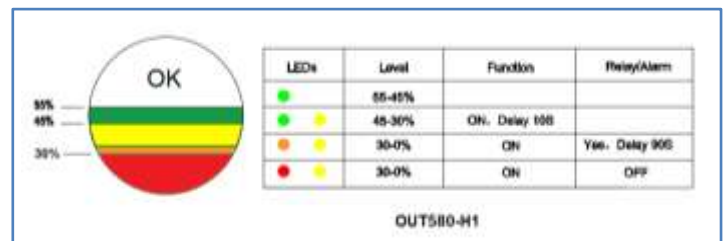
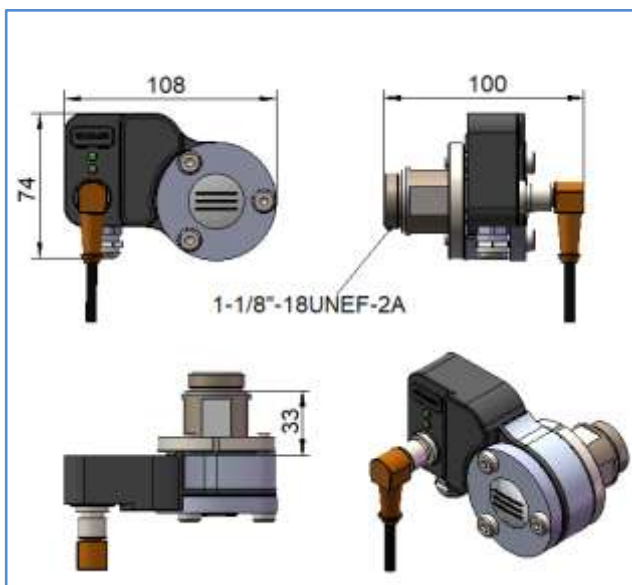


Function

OUT580-H1 uses a Hall-Sensor to measure the oil level. A magnetic float changes its position according to the oil level, not prone to errors by foaming or light. The hall sensor converts these magnetic field changes into an equivalent signal and lower yellow LDE, which is used by the electronic controller to open or close an external solenoid valve which feeds missing oil directly into the compressor sump, when the oil level drops in to the yellow zone.

If the oil level drops into the red zone, the upper LED become orange and after a delay 90 seconds. OUT580-H1 generates an alarm signal, the alarm contact (SPDT) changes into alarm state and the upper LED become red, the alarm contact may be used to shut down the compressor. If the oil level comes back to normal, the alarm will be reset.

Dimensions(mm)



Technical Data

Supply voltage	AC 50/60Hz 230V -20%...+10% 15VA AC/DC 24V -15%...+10% 15VA
Ambient/Storage temperature	-30...+60°C
Humidity	10...95%, No condensation
Medium temperature	Max.+100°C, Max.+120°C(<720h)
Oil level control	< 45%±5%
Time Delay Filling (external solenoid valve ON)	10S±5S
Oil level Alarm	< 30%±5%
Time Delay Alarm	90S±10S
Max. working pressure PS:	60bar
Max. test pressure PT:	69bar
Alarm contact:	AC15: 3A,250VACDC12: 5A,24VDC SPDT dry contact
External solenoid valvecontact:	with M12 connector2xAWG20, Br/BU
Protection class(EN 60529)	IP65
Materials	Aluminium; PA66/PA6+GF
Oil Medium compatibility	Standard mineral and ester oil,without additive
Medium compatibility	HFC,HCFC,CO2
Orientation of base unit	Horizontal, ±1°
Connect cable	5xAWG20; length 1m, colour coded

Accessories -Solenoid Valve

SV20-2 Valve is used for Piston compressor and Scroll compressor.

Type (Piston)	Connection	MOPD(bar) LiquidMOP	Max.WP(bar)	KV(m ³ /h)
SV20-2	1/4" SAE	31	45	0.16



Adapter Selection Guideline

Description	Model/Part-No	Compressor Series	Drawing
Flange adapter 3-4-hole	GOA34F Substitute for Part-No Model 063 521 OMB-AUA 805 037 OM0-CUA 805 041 OM0-CCC	Arctic Circle G2, G4, G6 Bitzer 4VC, 4TC, 4PC, 4NC, 4J, 4H, 4G, 6J,6H,6G, 6F, 8GC, 8FC Bock HA, HG (except G/HA-34/22), O-Series Copeland 4M & 6M , D2, D3, D4, D6, D9, 4CC, 6CC,ZBH, D8D, D8S. Dorin all KP, K sizes Frascold Series A, B, D, F, S, V, W, Z, A-SK, D-SK, F-SK, Q-SK, S-SK	
Screw adapter 1-1/8"-18 UNEF-2A	GOA118-18 Substitute for Part-No Model 066 692 OMB-CO2 805 038 OM0-CBB	Bitzer 2KC, 2JC, 2HC, 2GC, 2FC, 2EC, 2DC,2CC, 4FC, 4EC, 4DC, 4CC Bock HA12/22/34, HG12/22/34 Dorin all H, K100C, K150C, K180C, K200CC, K230CS, K235CC, K240SB, K40CC, K50CS, K75CC/CS L'UniteHerm. TAH, TAG Maneurop LT, MT, SM, SZ	
Screw adapter 3/4"-14 NPTF	GOA34-14 Substitute for Part-No Model 065 668 OMB-ACA 805 039 OM0-CCA	Bitzer ZL, ZM Copeland ZB15 to ZB48ZBD21 to ZBD45 - until 06/2014 ZB56, 75, 92, 11 - until 05/2012 ZF06 to ZF25 - until 06/2014 ZF24 to ZF48 * - until 05/2012 ZS21 to ZS45 - until 06/2014 ZS56 to ZS11 - until 05/2012 Trank Series K	
Rotalock adapter 1-3/4"-12 UNF-2B	GOA134-12 Substitute for Part-No Model 066 078 OMB-ACE 805 042 OM0-CCD	Copeland ZB220, ZH, ZR 90, 11, 12, 16,19 ZR250 to ZR380,ZF24 to ZF48, ZS56 to ZS11	
Rotalock adapter 1-1/4"-12 UNF-2B	GOA114-12 Substitute for Part-No Model 066 650 OMB-ACF 805 043 OM0-CCE	Copeland ZB15 to ZB48 - after 06/2014 ZB50, 58, 66, 76, 95, 114 ZBD21 to ZBD45 - after 06/2014 ZF06 to ZF25 - after 06/2014* ZF(D)18 - after 06/2014 ZR94/108/125/144/160/190 ZS21 to ZS45 - after 06/2014	