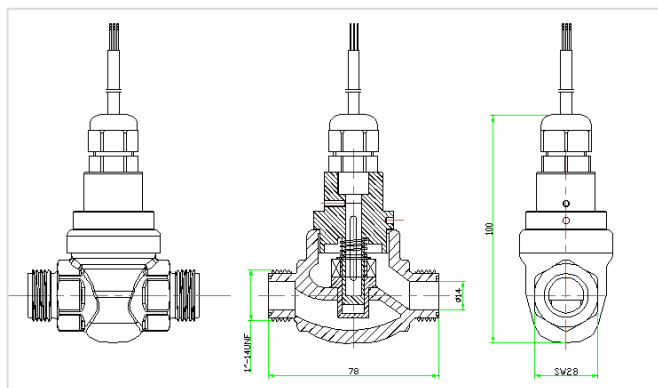
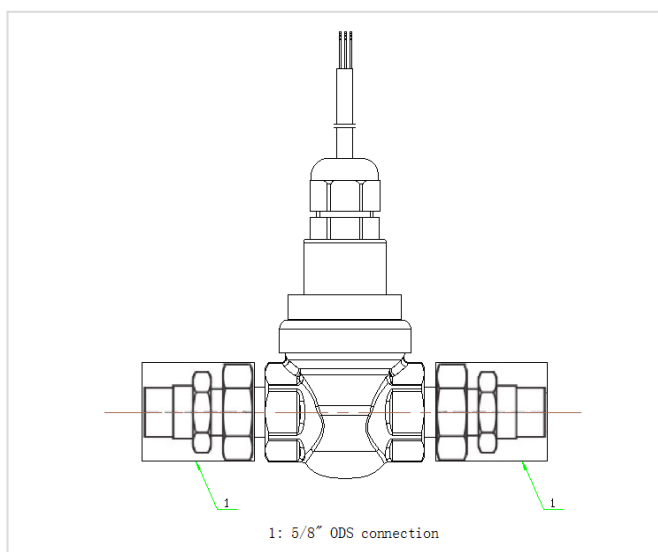


GPF45 Oil Flow Switch | Oil Flow Relay

Bitzer Part-No.680345 680346



Dimensions in mm -I



Connection diagram -I

Characteristic

Piston flow switch, Highly reproducible, Insensitive to dirt.

Adjusted switching value descending off point.

It is used to monitor the oil level within the screw compressor.

Functional description

The magnet ring-containing plunger will be pushed out automatically when the flow of the liquid increases, the isolation promoting reed switch located on the magnet ring of the plunger is actuated;

When the liquid flow decreases, the plunger regresses under the effect of the spring, which causes the reed switch to break.

The reed switch is completely isolated from the liquid within the valve.

The permanent magnet ring is able to endure high temperature, as well substances like Freon, oil, water, etc.

Installation and connection

Please install in accordance with the flow direction of the liquid, and Make sure that cable outlet points up. When connecting the copper pipe, use one of the spanner to stabilize the valve, and the other spanner to twist the nut. Note that the torque cannot exceed 75Nm.

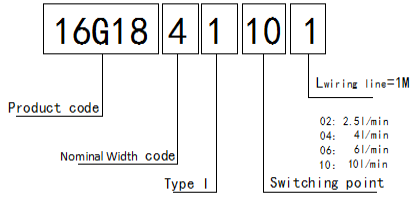
Technical specification

Nominal Width	G1/2" DN 15
Max flow rate	20 l/min
Switching point(Descending ON,H ₂ O)	Switching point(Descending OFF,H ₂ O)
GPF45-025 2.70 l/min ± 3%	2.5 l/min ± 3%
GPF45-040 4.15 l/min ± 3%	4.0 l/min ± 3%
GPF45-060 6.20 l/min ± 3%	6.0 l/min ± 3%
GPF45-100 10.25 l/min ± 3%	10.0 l/min ± 3%
Connection	1" -14 UNF
Max. pressure	PN 200bar (valve body part)
Medium temperature	-20..+100 °C
Ambient temperature	-20..+70 °C
Media	Oil
Switching voltage	240 Vac/200 Vdc
Switching current	0.7 Aac/0.5 Adc
Max current through	1A
Switching capacity	70VA/50W
Ingress protection	IP65
Electrical connection	3x0.5 mm ² , L=1m , Brown Blue+ Yellow/Green; SPNO
Material (Contact with media)	Brass, hard ferrite
Material (Not in Contact with media)	PA, PVC
Weigh	0.6kg
Model	Order number
GPF45-025-11	16G18 41 02 1
GPF45-040-11	16G18 41 04 1
GPF45-060-11	16G18 41 06 1
GPF45-100-11	16G18 41 10 1

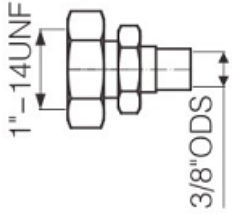
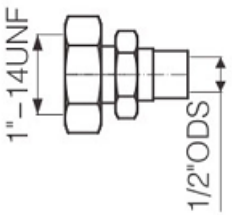
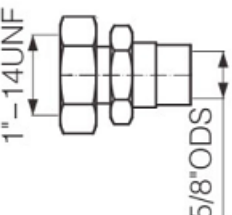
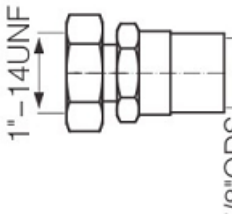
GPF45 Oil Flow Switch | Oil Flow Relay

Bitzer Part-No.680345 680346

Ordering code



PS. Connection Type and ordering code

	Type	Port	Dimensions	Code
Accessories	Conversion port one	3/8" ODS		03
	Conversion port two	1/2" ODS		04
	Conversion port three	5/8" ODS		05
	Conversion port four	7/8" ODS		07

Ordering code for connection port

